

PTFE Expansion Joint (Braced) Guards

Ideal for Acid / Caustic / EI15 Oil and Diesel mist prevention

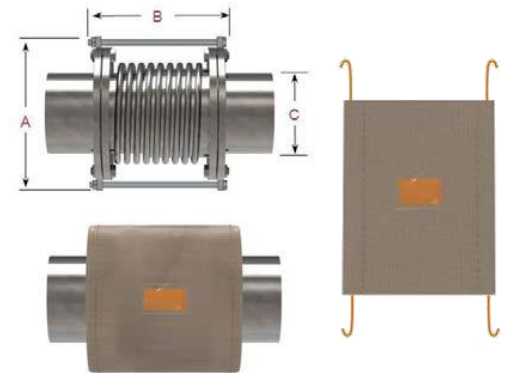
The PTFE shield is manufactured from 3 layers of Teflon coated fibreglass, with an additional thick Teflon central scrim for added strength. All stitching is 100% Teflon coated fibreglass thread.

The easy to fit, lock tight, fastening system comprises a Velcro strip coupled with a braided 100% Teflon coated fibreglass draw string. When tightened, the fabric is drawn over the flange bolts toward the pipe wall thus eliminating a lateral spray out.

For a detailed quotation please confirm key dimensions "A" "B" & "C" below.

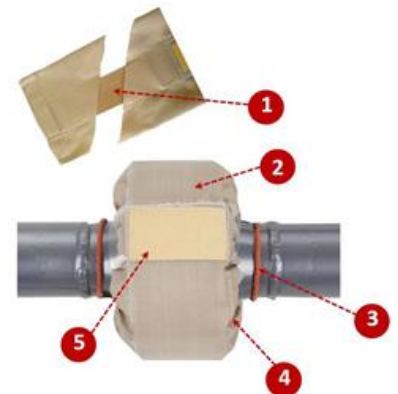
Specification

Cloth	: PTFE coated fibreglass
Stitching	: PTFE coated fibreglass
Pull cords	: PTFE coated fibreglass
Max. Temperature	: 232 Deg C
Flange Ratings	: ANSI / DIN / BS Sizes : ½" to 48"
Leak Detection	: Visual Litmus paper
Typical Applications	: Oil (fuel,lube,seal, etc) Acids, Caustics, Corrosives



Key Features

1. Central Thick Scrim Material
Added safety. Without this, a high-pressure release can split the outer shield material, creating spray and mist.
2. Permeable Teflon Material
Ensures leaking liquid is drawn away from the flange, thus avoiding corrosion (especially in acid duty). Some "non- permeable" shield designs can hold corrosive liquids against the flange.
3. Teflon Coated Pull Cord
Provides a strong, re-usable tie down.
4. Teflon Thread
Better resistance against corrosive atmospheres. Other shields use cotton threads which disintegrate quickly.
5. Litmus Paper Indicator Patch
Quick, visual indication of a leak.



Delivery

Most shield materials and sizes are available ex-stock.
 Call 01268 244369 or e-mail sales@flangeguards.com.



Revision date: 20th January 2021



LEADING MANUFACTURER AND SUPPLIER
OF PIPE SAFETY SHIELDS

FLANGE GUARDS.com

Flangeguards Ltd. Unit 5 Cranes Close, Basildon, Essex SS14 3JB United Kingdom

Disclaimer

Please note, failure to select the correct materials or products we supply ("the Products") may result in damage to plant, equipment or property. In some instances, it may cause death or personal injury. We are not designers and do not give advice about design related matters concerning the Products. We can help and assist with the technical specifications for the Products. In specific applications, particularly where critical conditions exist, we will try to assist you within the limitations of the services that we offer. All information supplied by us is intended as technical co-operation outlining the specifications of the different Products which we supply. To the extent permitted in law, no warranty is given in respect of any information supplied by us. The customer must satisfy themselves as to the suitability of the Products for their intended application and use. The correct fitting of Products is the responsibility of the customer. Your statutory rights remain unaffected. Save in respect of death, personal injury or fraud, our entire liability to you, however arising from the supply of Products shall be limited to the £10M indemnity amount provided by our insurers.



WILLIAM JOHNSTON
& COMPANY LIMITED
EXCLUSIVE SCOTTISH DISTRIBUTOR